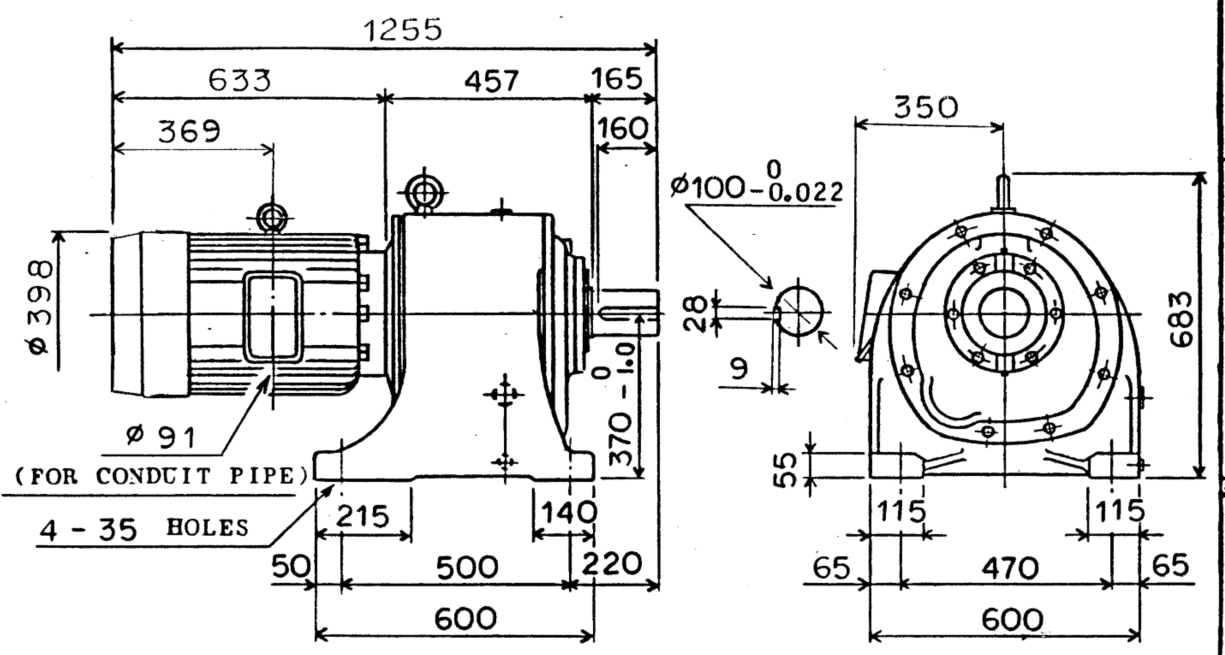


U163A227S

図面番号 DRAWING NO.	MOTOR TYPE	TIKK	POLES	4	kW	37	1	REV. MARK	REV. REVISIONS
	RPM		FORM	FCKL8	VOLTS		Oct. 28 '00	年月日 DATE	
	FREQUENCY		INSULATION CLASS	F				承認 APPROVED BY	
	FRAME NO	180L						変更者 REVISED BY	
	GEAR RATIO	1:15	OUTPUT RPM					社標変更 SI単位 に統一	
	FRAME NO	SF100D						記 CONTENTS	
	PROPER QUANTITY OF LUBRICANTS	22	ℓ						

REMARK
1



BEARING MOTOR LOAD SIDE	6316	OPPOSITE SIDE	6312ZZ
GEAR MIDDLE SPEED SHAFT	NF312		22313CD
LOW SPEED SHAFT	32220		32222
OIL SEAL MOTOR		GEAR	D11014014B
APPROX MASS	660	Kg	

製造 MANUFACTURING NO. 形式 TYPE
SF100D-15RS37-4

 尺 INCH SCALE 単位 UNITS mm	承認 APPROVED BY <i>S. Saito</i> Apr. 25 '85	検閲 CHECKED BY <i>M. Hayano</i> Apr. 25 '85	名称 TITLE SF TYPE GEAR MOTOR OUTLINE
	設計 DESIGNED BY ..	製図 DRAWN BY <i>M. Yamagisawa</i> Apr. 17 '85	

TOSHIBA 東芝産業機器システム株式会社 TOSHIBA INDUSTRIAL PRODUCTS AND SYSTEMS CORPORATION	図面番号 DRAWING NO.	変更 REV. MARK
	U163A227S	1