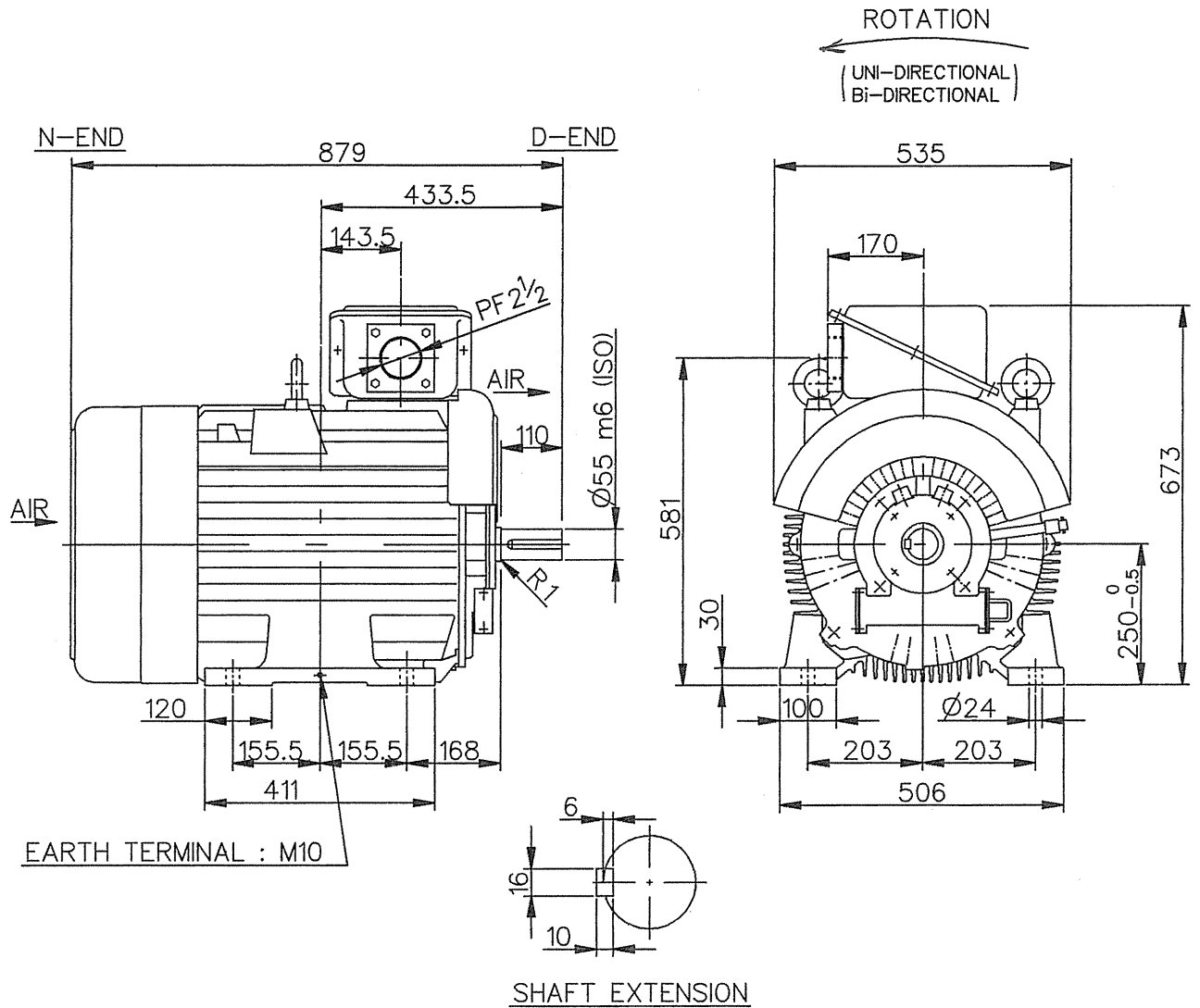


INDUCTION MOTOR  
OUTDOOR USE  
DIRECT CONNECTION

FINAL  
APPROVAL  
PRELIMINARY



DIMENSIONS IN mm

MLA9250B	250S	2	3	75kW	200-400/ 200-400 220-440	50/60	2950/ 3535 3550	256-128/ 256-128 232-116
TYPE	FRAME	PO- LES	PH	OUTPUT	VOLT	Hz	RPM	AMP
CONT	JEC-37-1979	F	JPW44	445kg	D-END	6212 C3	MULTEMP	
RATING	RULE	INSUL	PROTECTION	WEIGHT	N-END	6212 C3	LRL 3	
							BEARING	GREASE

CUSTOMER : \_\_\_\_\_

APPLICATION : \_\_\_\_\_

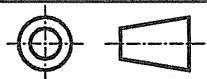
コ - FNO. 77811

ITEM NO. \_\_\_\_\_

QTY \_\_\_\_\_

W. NO. \_\_\_\_\_

	DATE	NAME	APPROVED
DRAWN	'91-12-18	<i>[Signature]</i>	<i>[Signature]</i>
CHECKED			



**Fuji Electric Co., Ltd.**

FORM NO. SU714635      DWG. NO. R 1595

REVISIONS